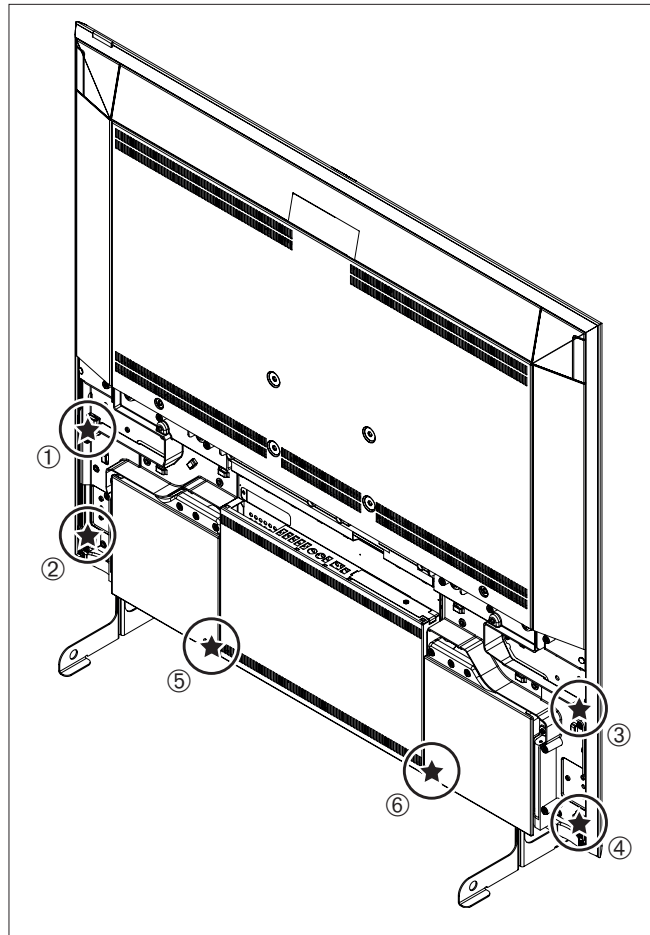


**Replace front frame with front glass**

☞ 5.3 BeoVision 11 in service position 1

- Remove screws  
! When reassembling, mount all screws in the opposite order (⑥-①)

6x  
TX20

- Gently lift off front frame with front glass

