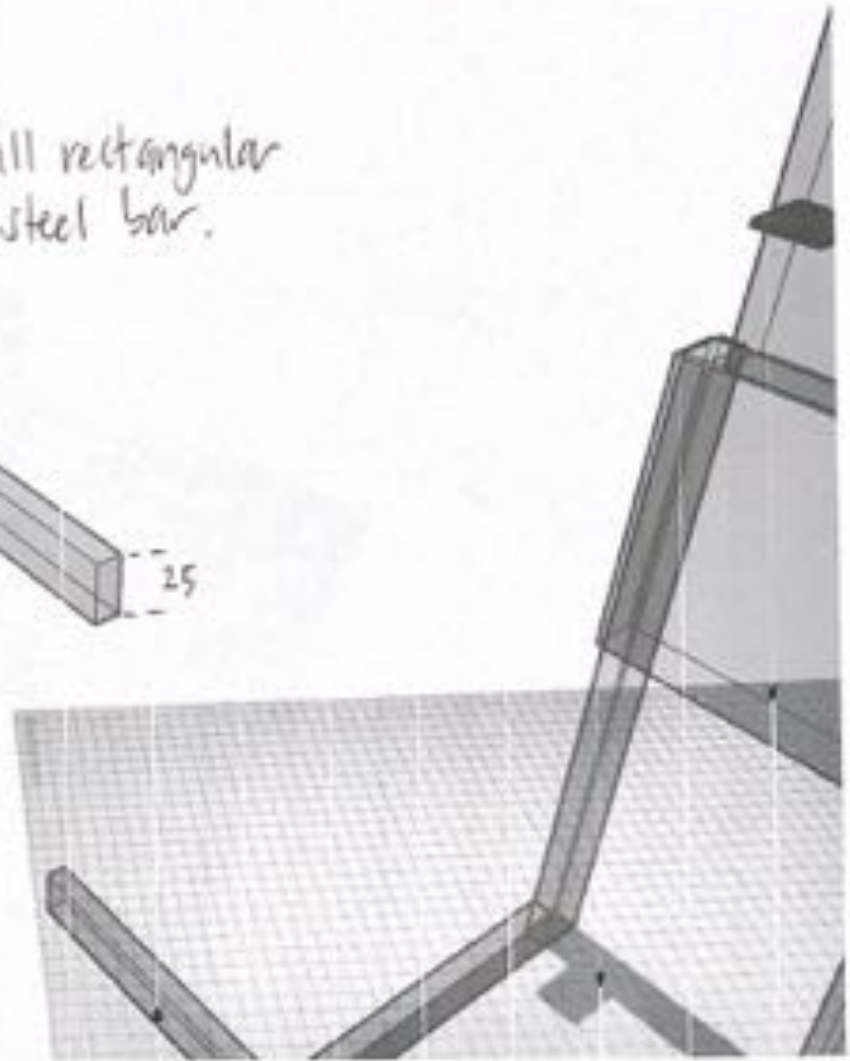
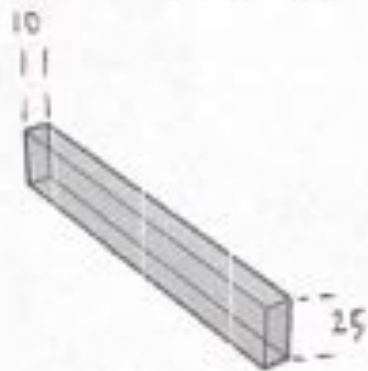
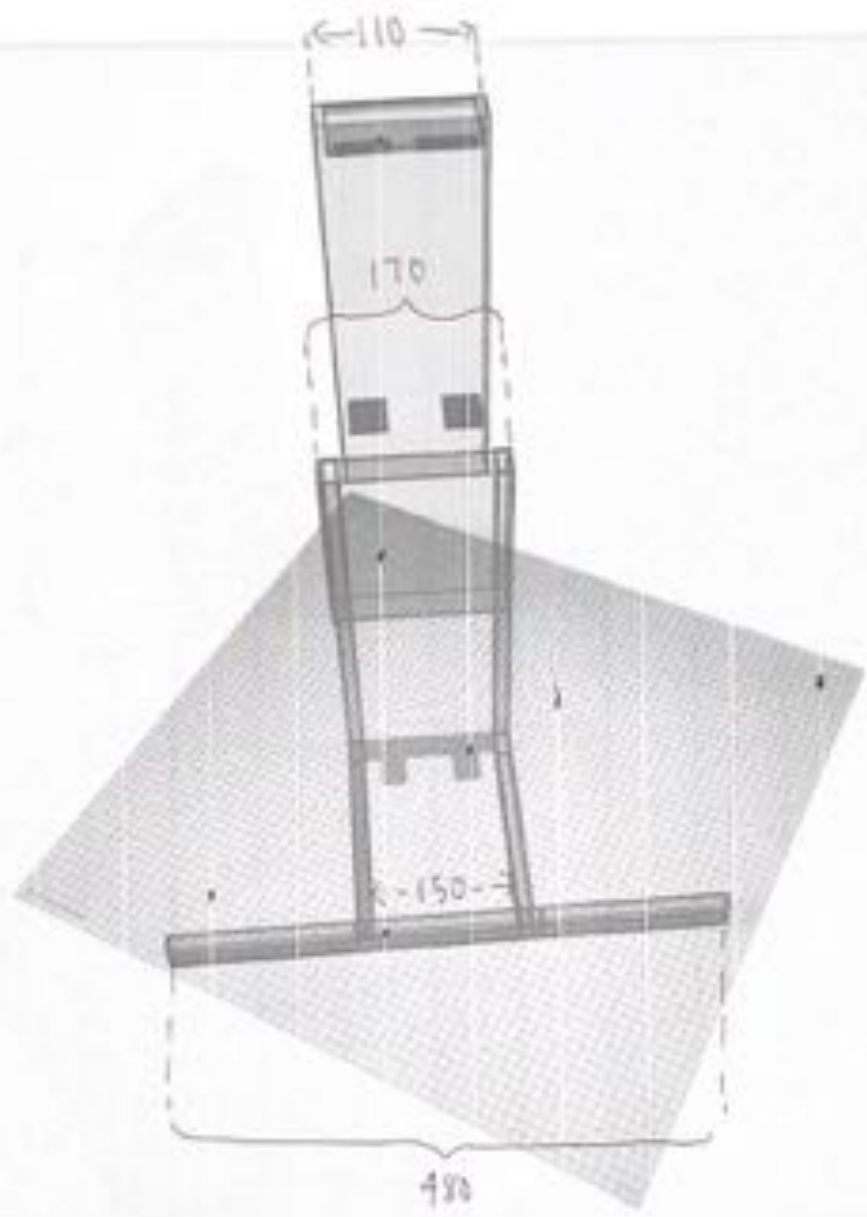


1/4

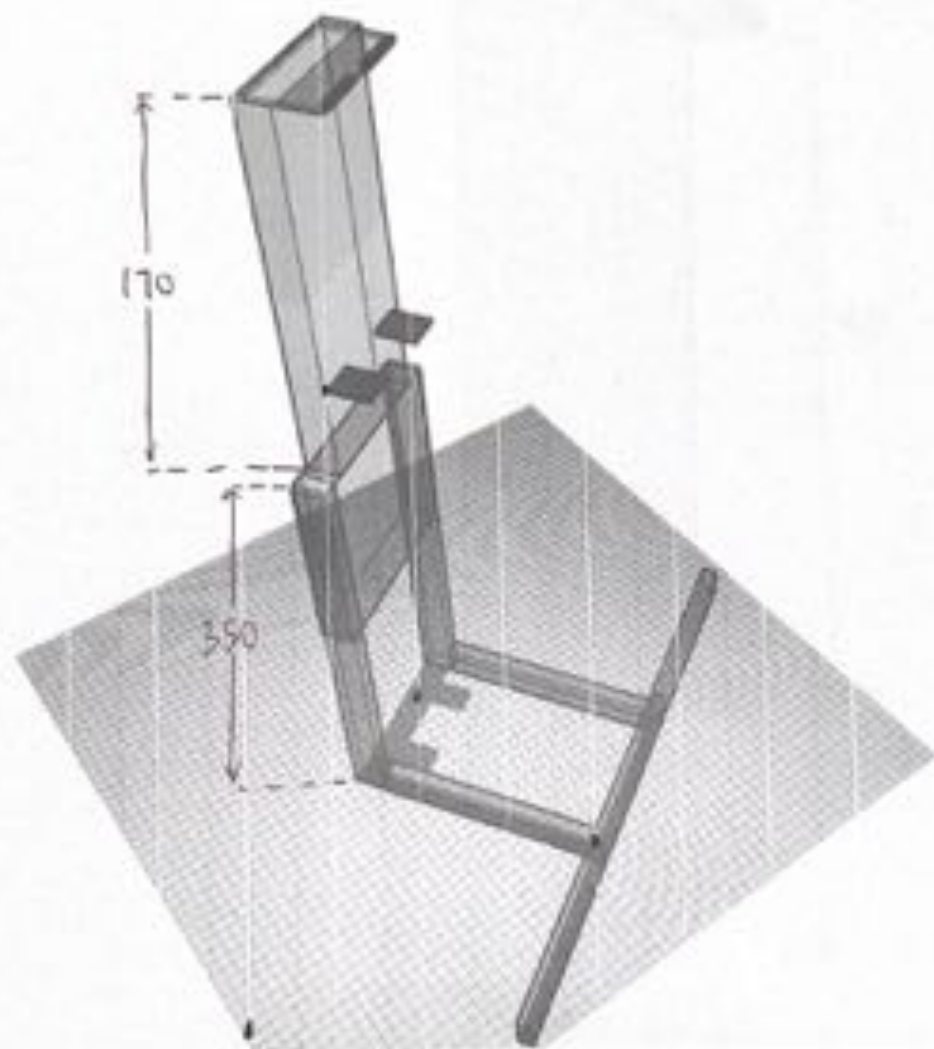
all rectangular  
steel bar.

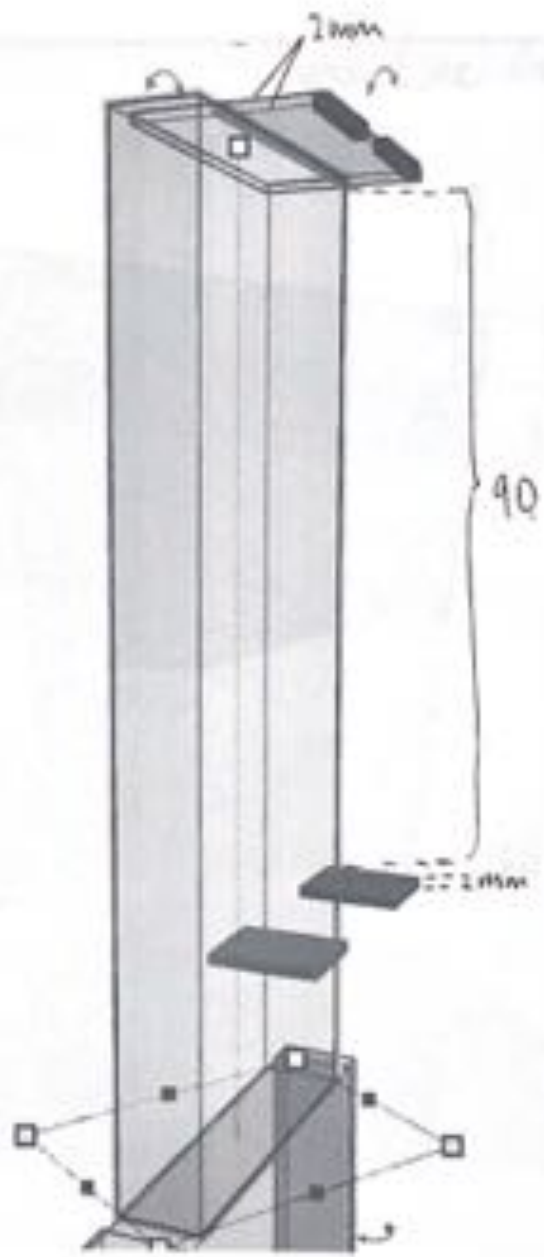


2/7



3/7



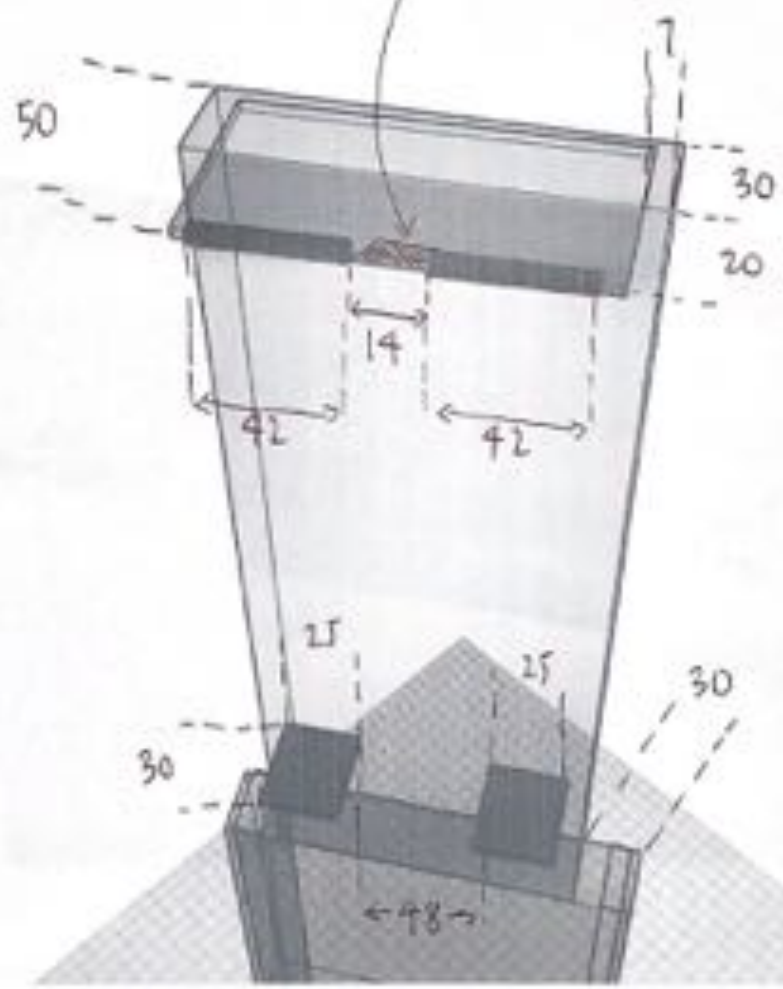


4/7 ▲

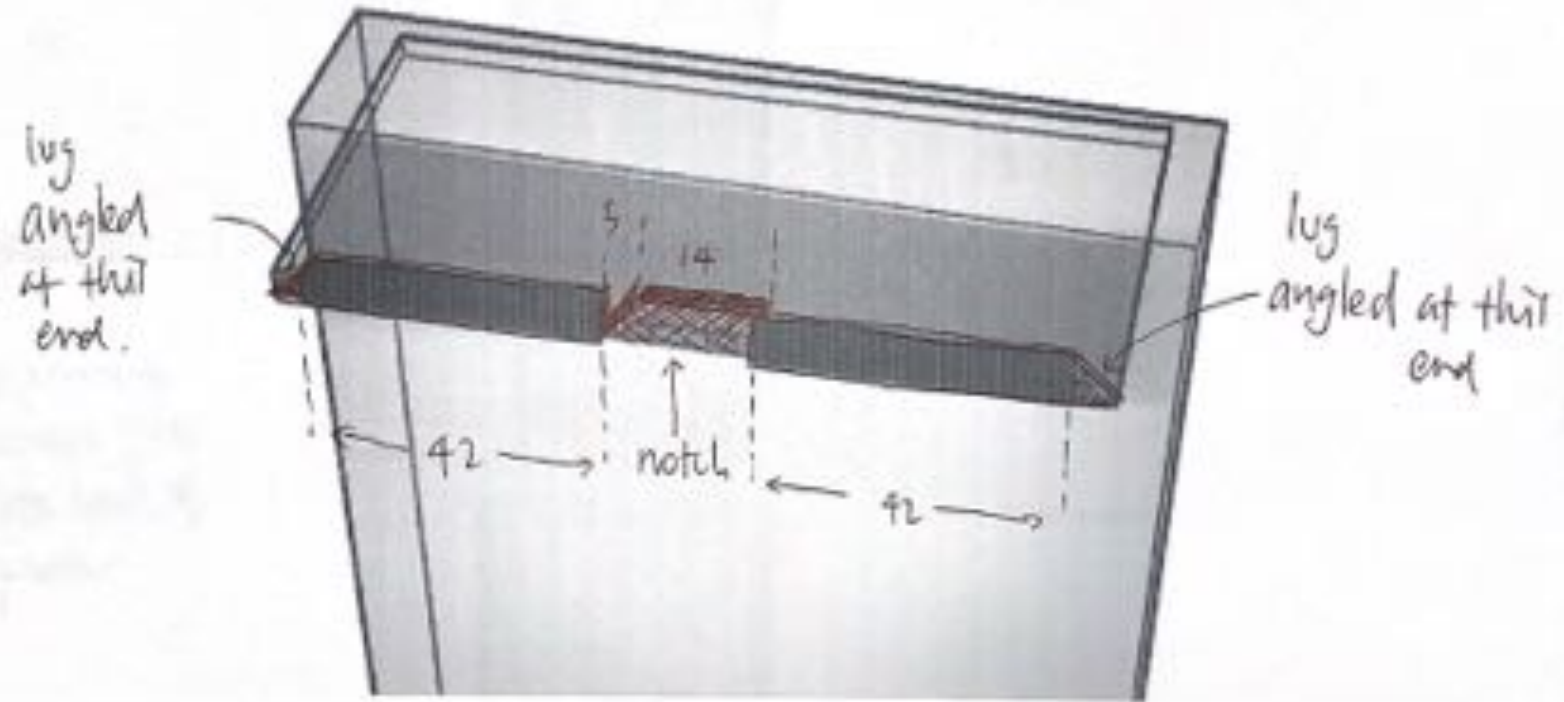
- Radius
- Steps
- Length
- Width
- Height

notch (see sheet 6 for detail)

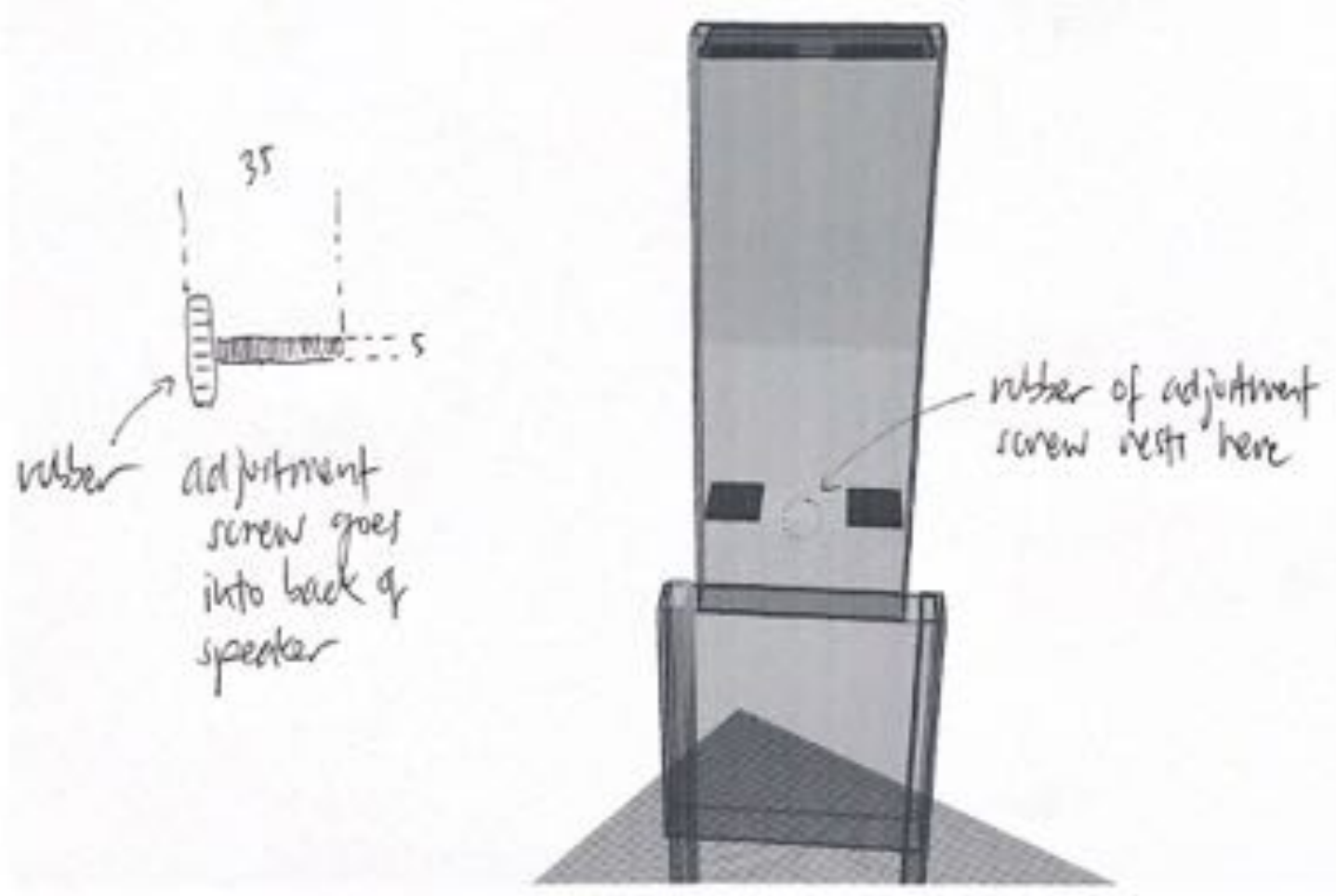
5/7



6/7



7/4



Work  
Timer  
Basi